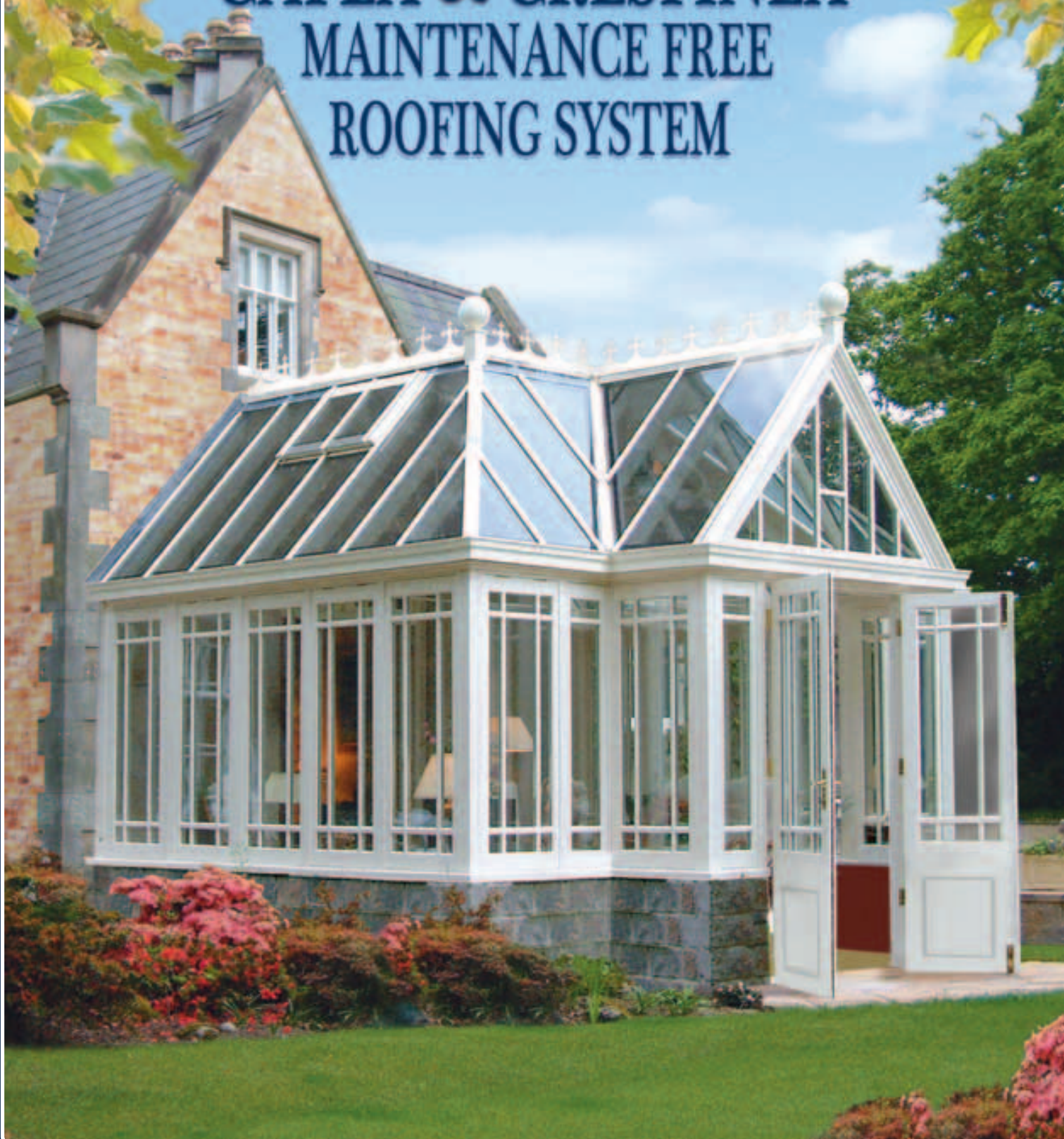




CAPEX & CRESFINEX MAINTENANCE FREE ROOFING SYSTEM

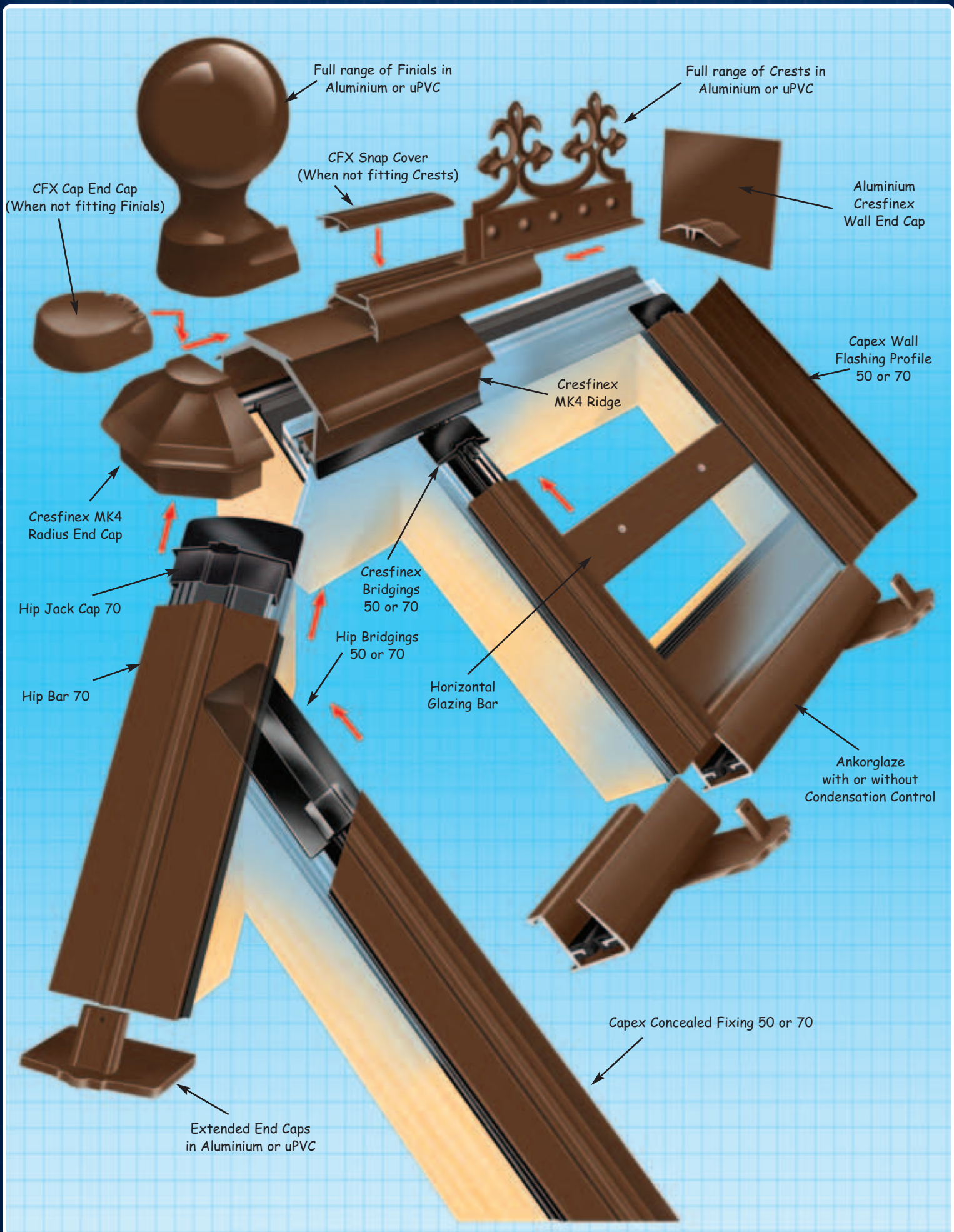


EXITEX LTD.
Dundalk, Ireland
Tel: (00353 42) 9371244



Website: www.exitex.com
E-mail: info@exitex.com
Fax: (00353 42) 9371221

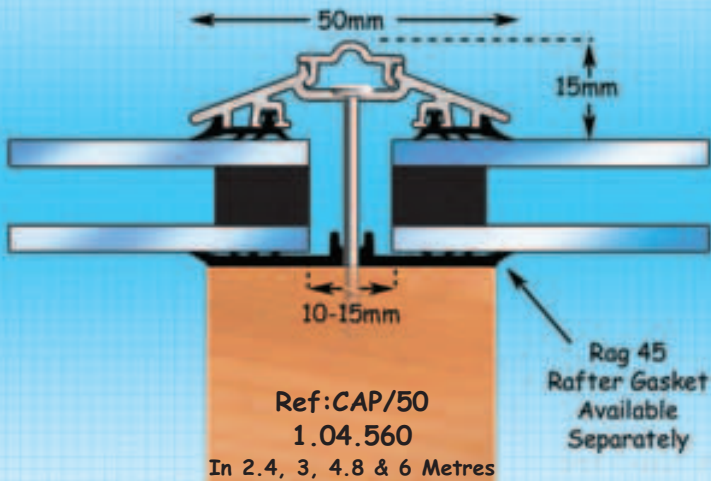
CAPEX 50, 70 & CFX MK4 RIDGE



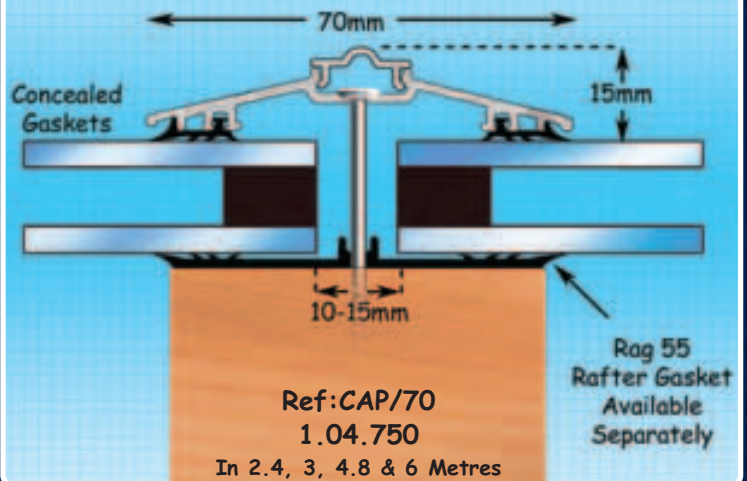
2 IN WHITE RAL9010, BROWN RAL8040 & MILL FINISH

CAPEX 50 & 70

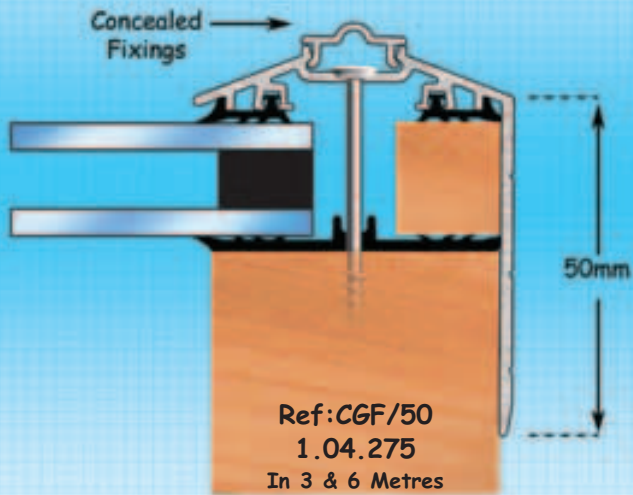
Capex 50 For Roof Pitches of 5°+



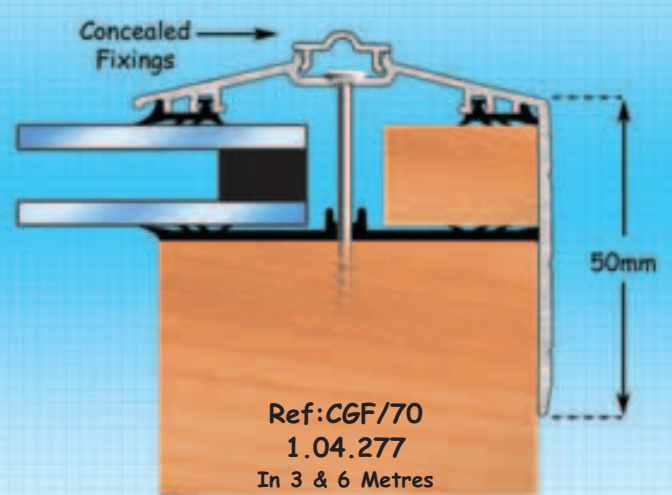
Capex 70 For Roof Pitches of 5°+



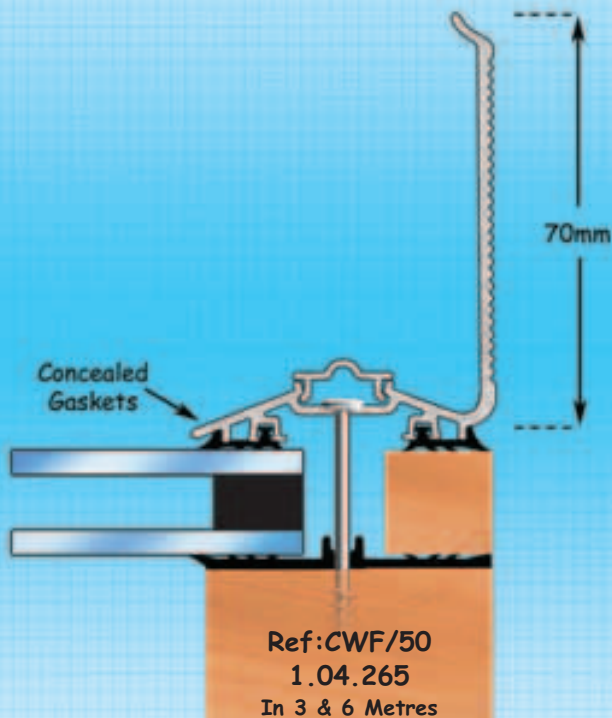
Capex 50 Gable End Finishing Profile



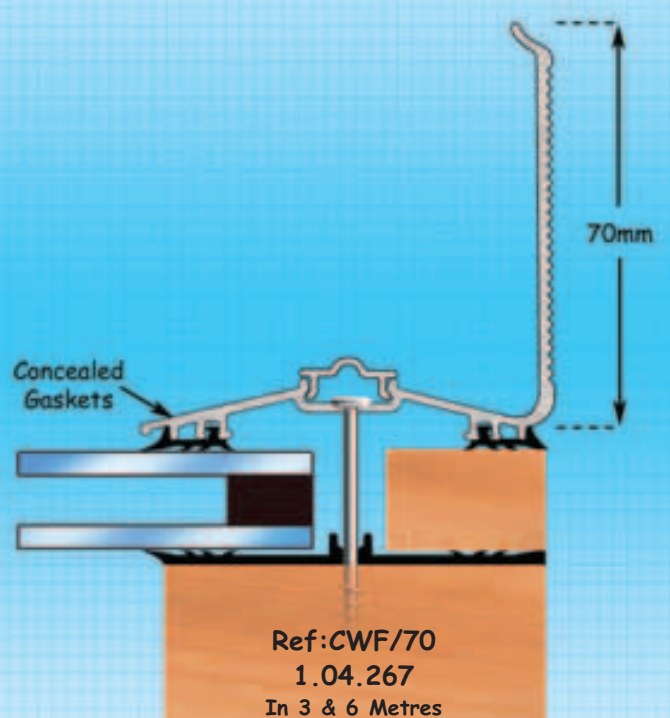
Capex 70 Gable End Finishing Profile



Capex 50 Wall Flashing Profile

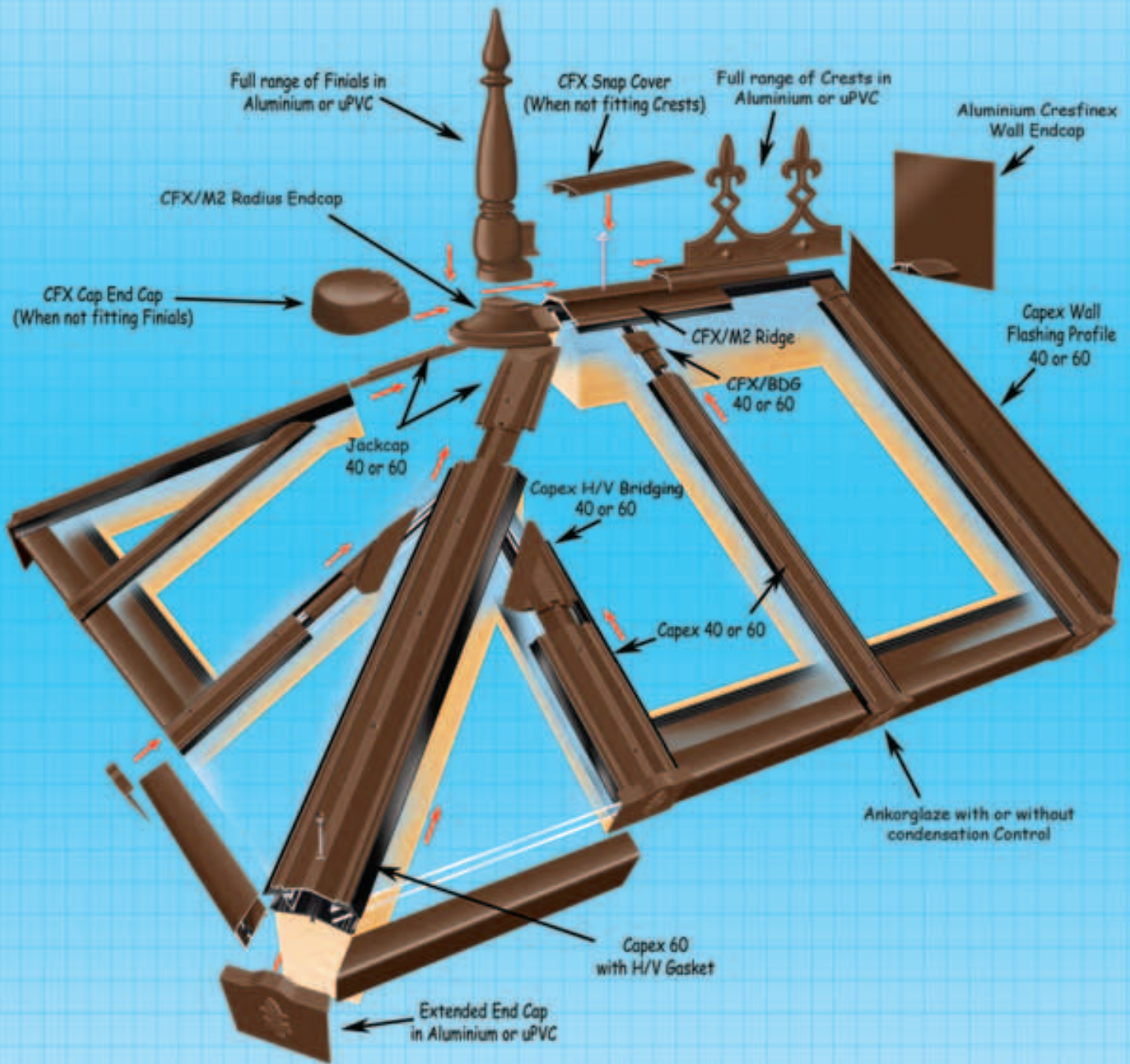


Capex 70 Wall Flashing Profile



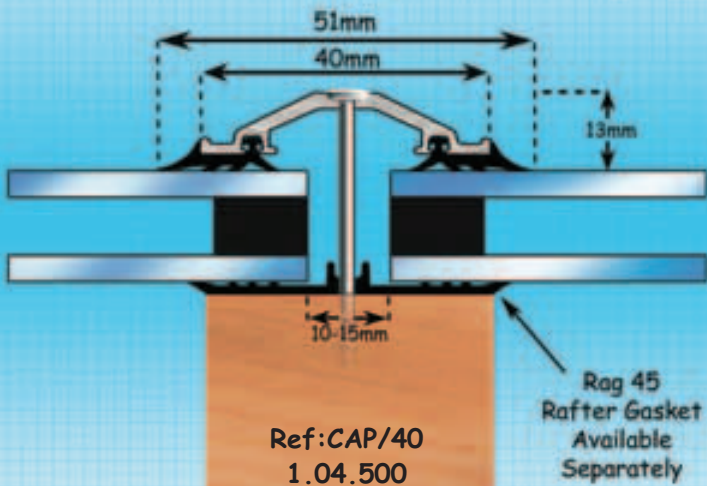
WITH CONCEALED FIXINGS & GASKETS

CAPEX 40, 60 & CFX MK2 RIDGE

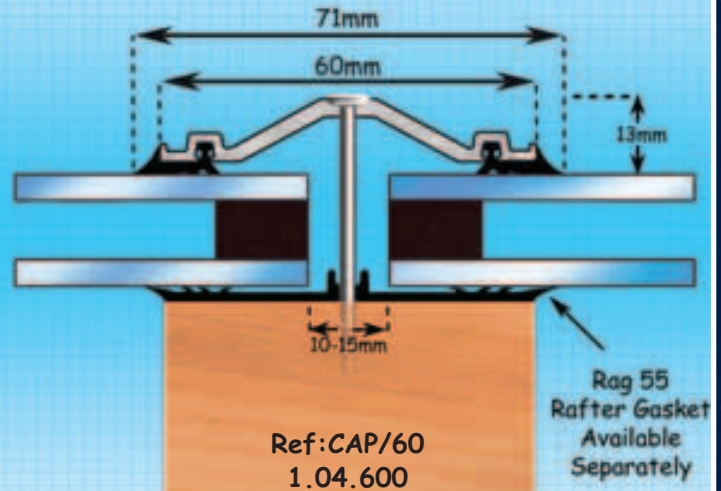


CAPEX 40 & 60

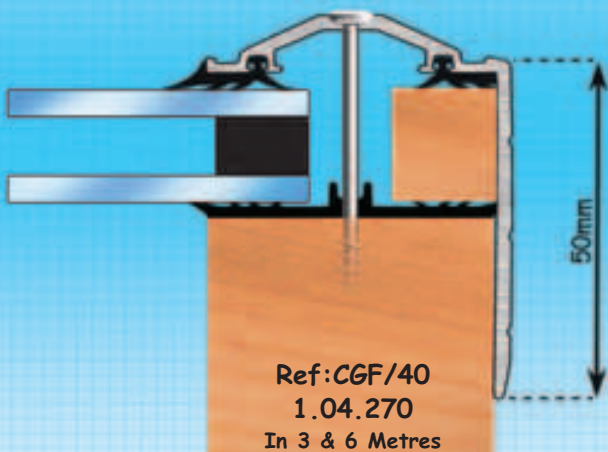
Capex 40 For Roof Pitches of 5°+



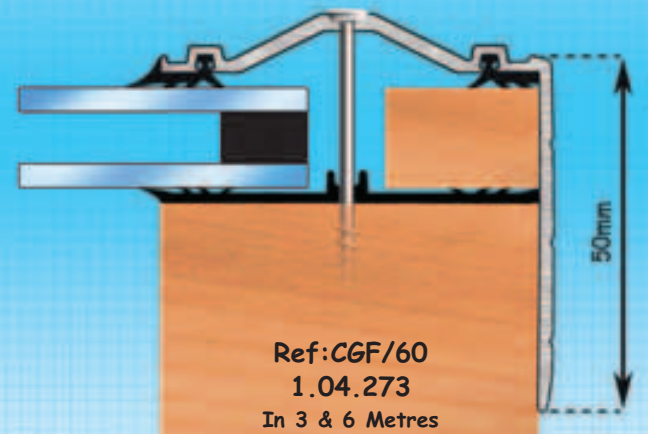
Capex 60 For Roof Pitches of 5°+



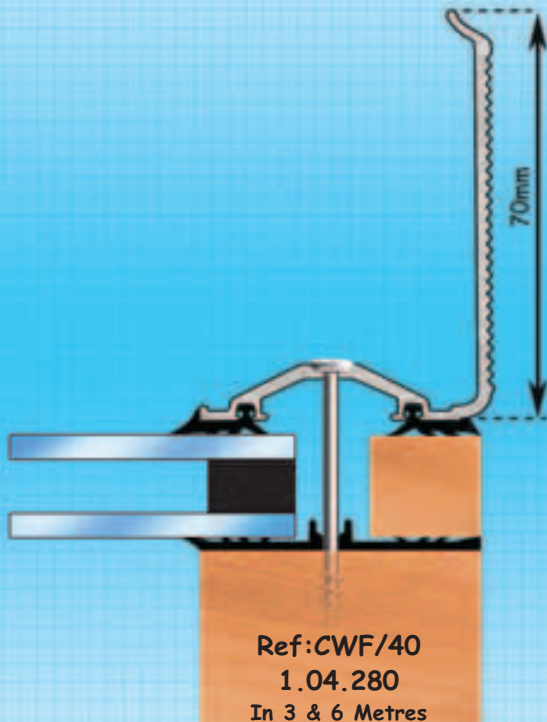
Capex 40 Gable End Finishing Profile



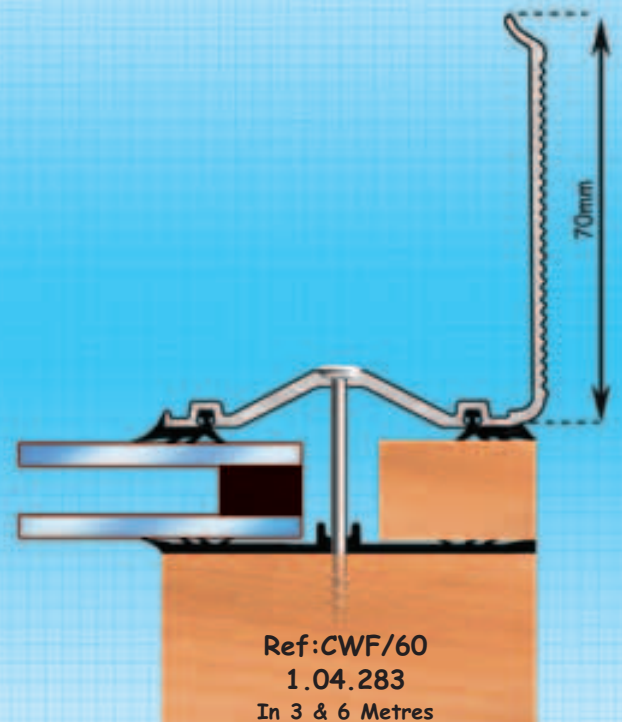
Capex 60 Gable End Finishing Profile



Capex 40 Wall Flashing Profile

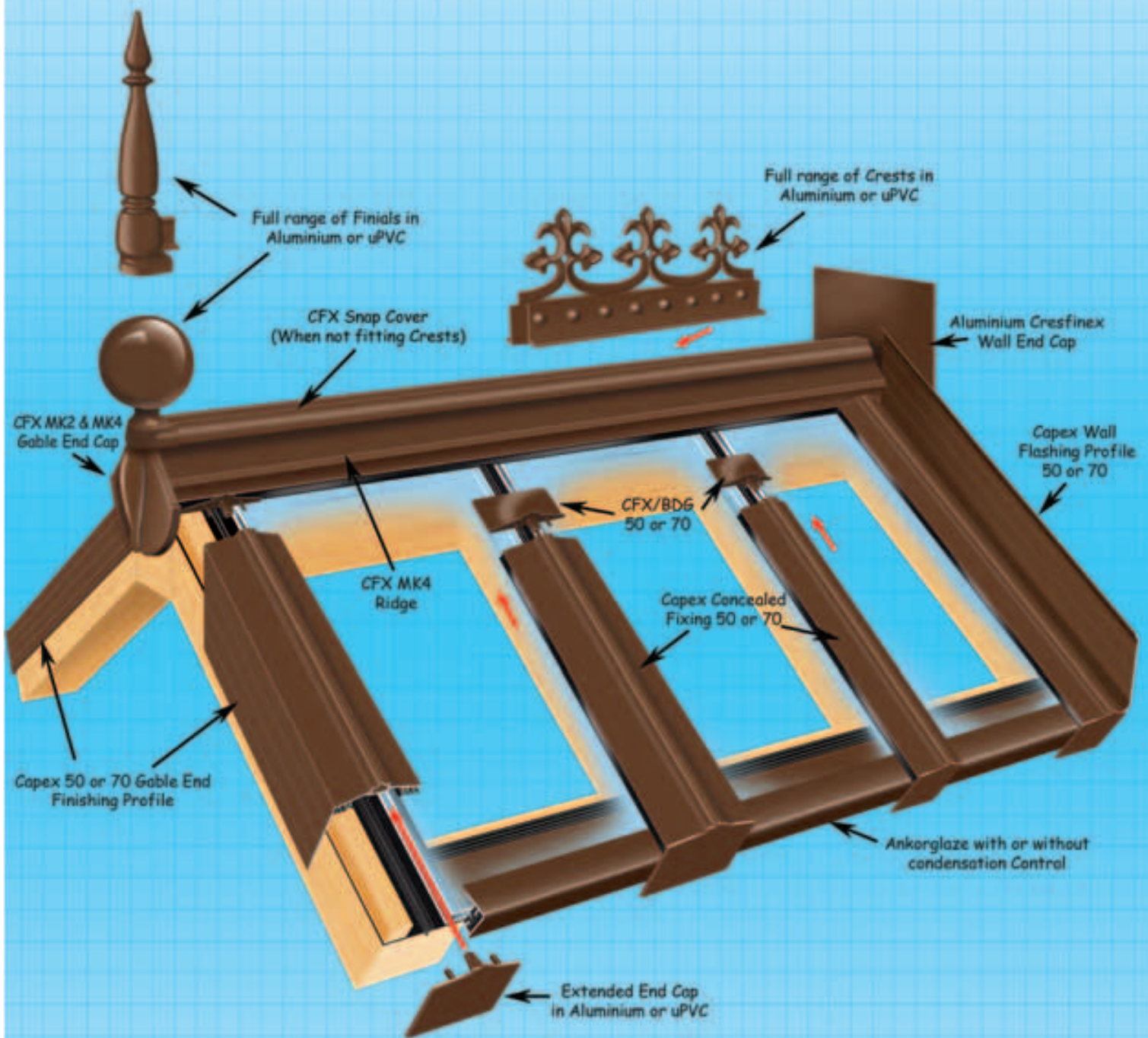


Capex 60 Wall Flashing Profile

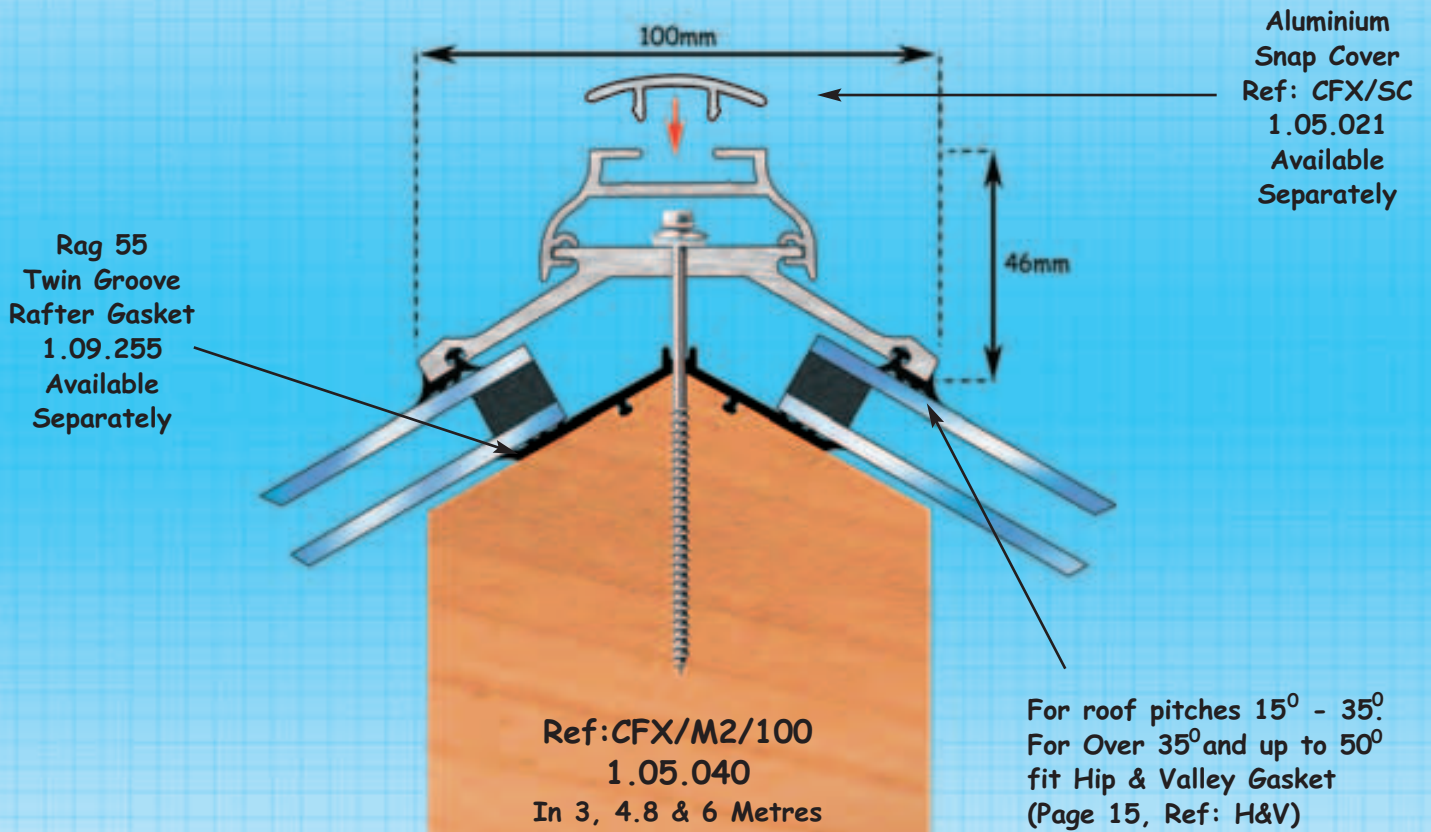


IN WHITE RAL9010, BROWN RAL8040 & MILL FINISH 5

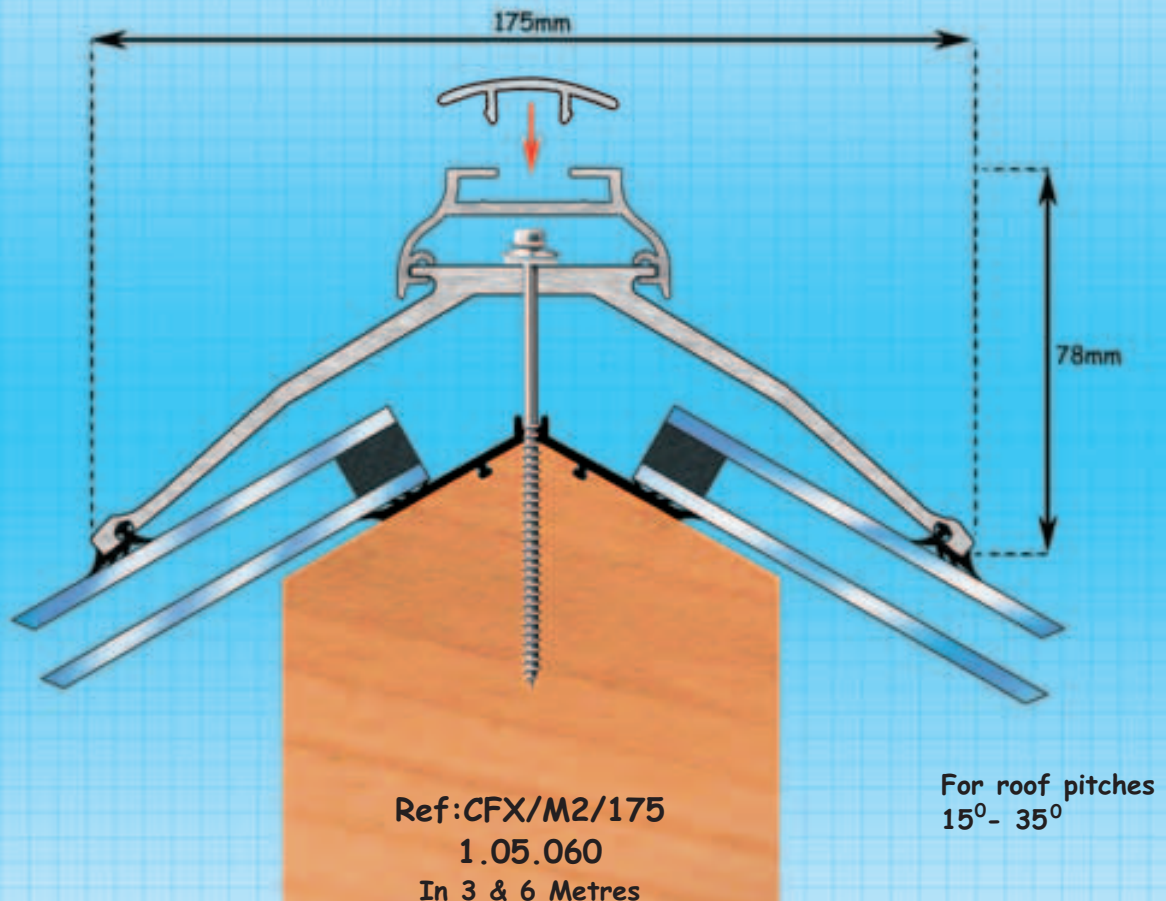
CAPEX & CFX FOR GABLE END ROOFS



CRESFINEX 100mm M2 RIDGE

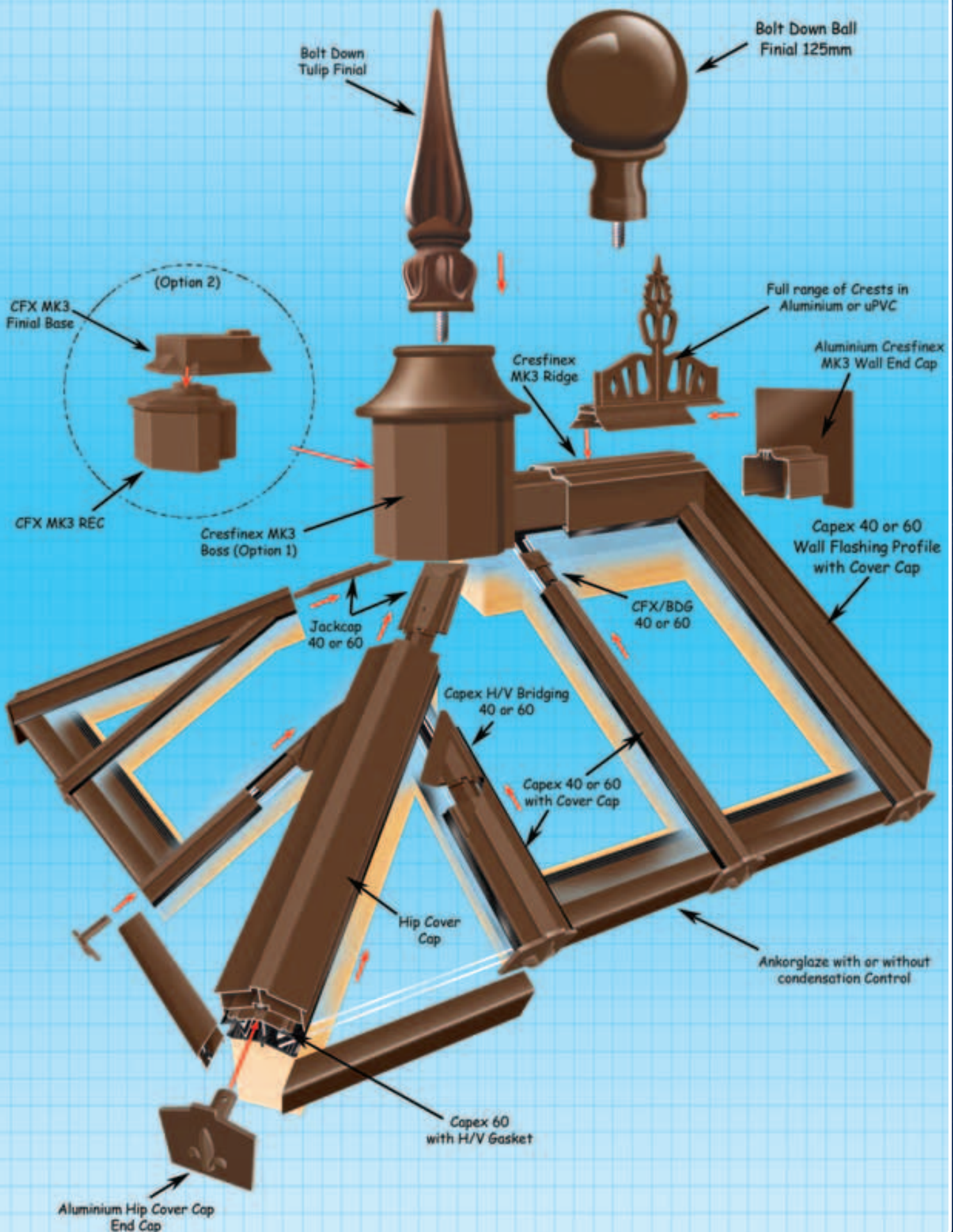


CRESFINEX 175mm M2 RIDGE

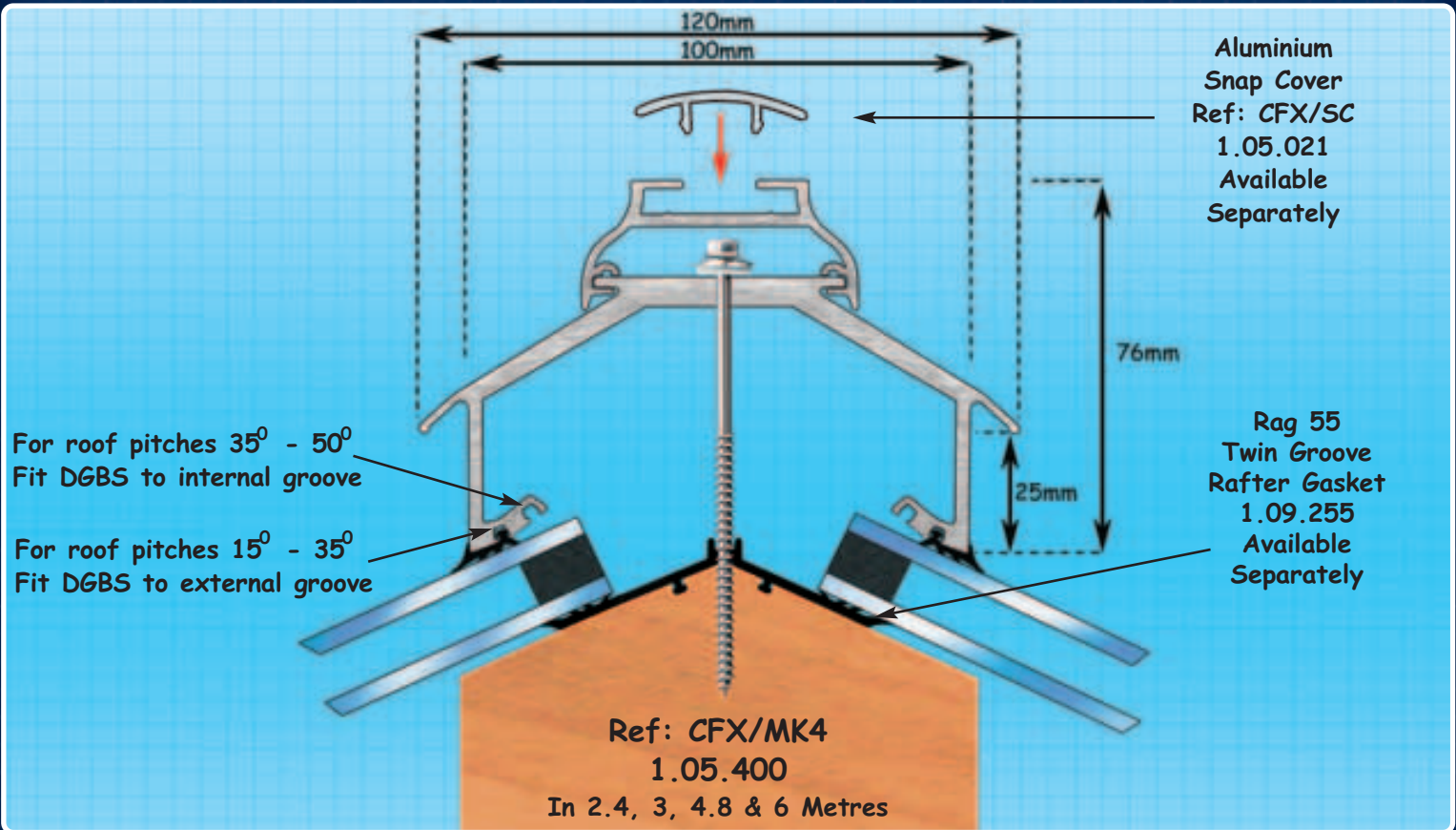


SUITABLE FOR GLASS & POLYCARBONATE

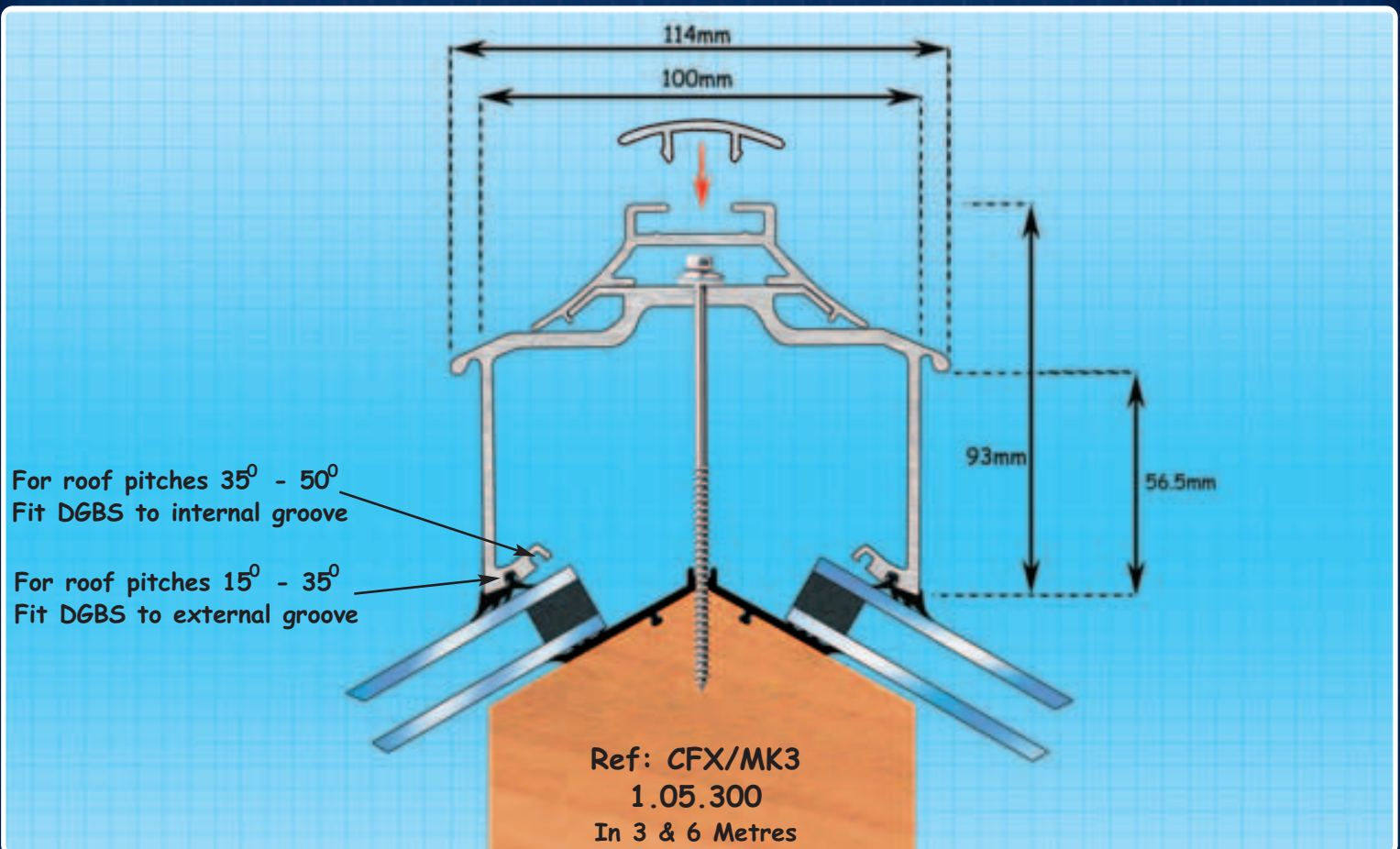
MARK 3 RIDGE & CAPEX COVER CAPS



CRESFINEX MK4 RIDGE

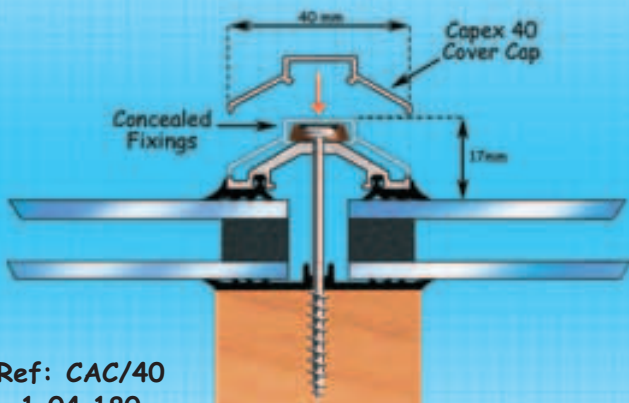


CRESFINEX MK3 RIDGE

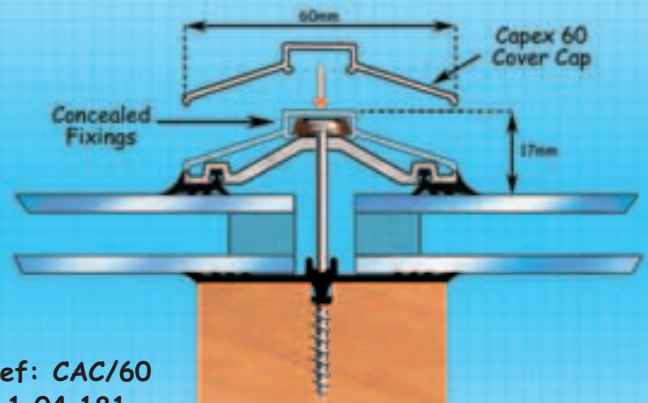


IN WHITE RAL9010, BROWN RAL8040 & MILL FINISH 9

CAPEX 40 & 60 COVER CAPS

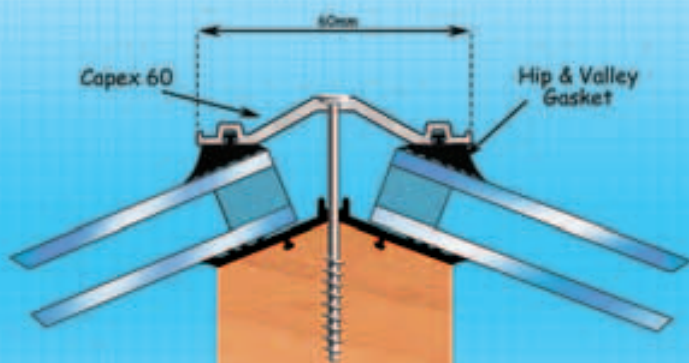


Ref: CAC/40
1.04.180
IN 3 & 6 Metre

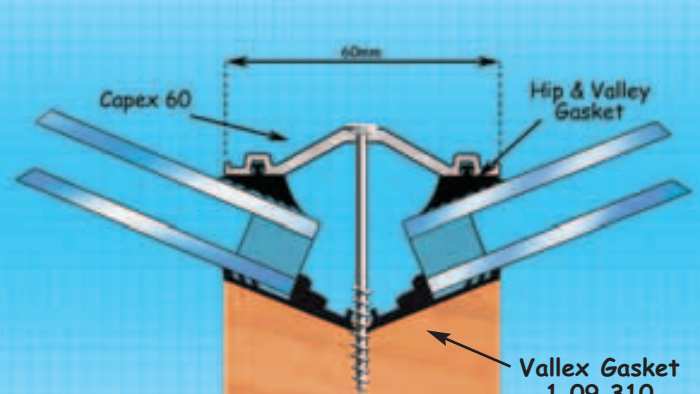


Ref: CAC/60
1.04.181
IN 3 & 6 Metre

CAPEX 60 WITH HIP & VALLEY GASKET



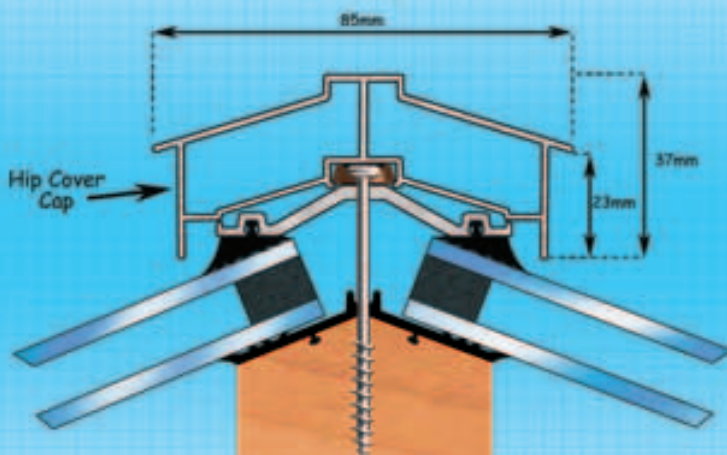
Ref: CAP/60/HV
1.04.602



Ref: CAP/60/HV
1.04.602

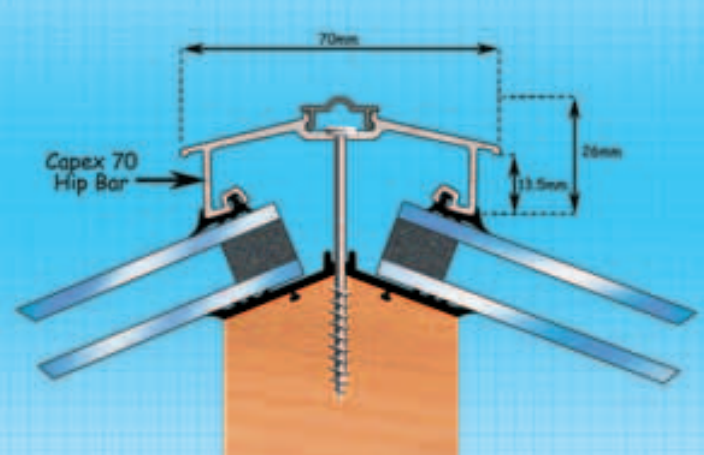
Vallex Gasket
1.09.310
Available
Separately

HIP COVER CAP



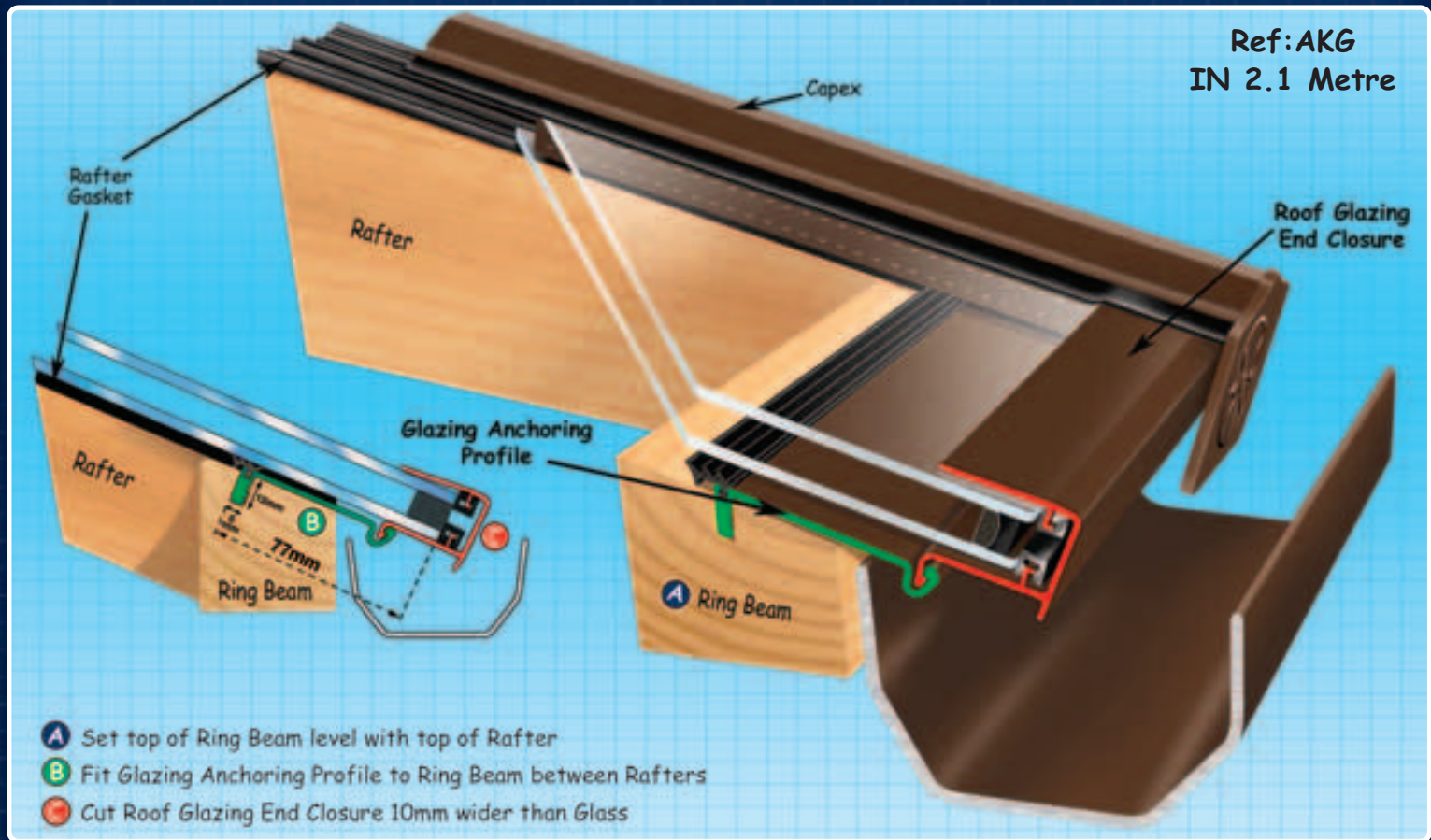
Ref: HCC
1.04.285

CAPEX/70 HIP BAR

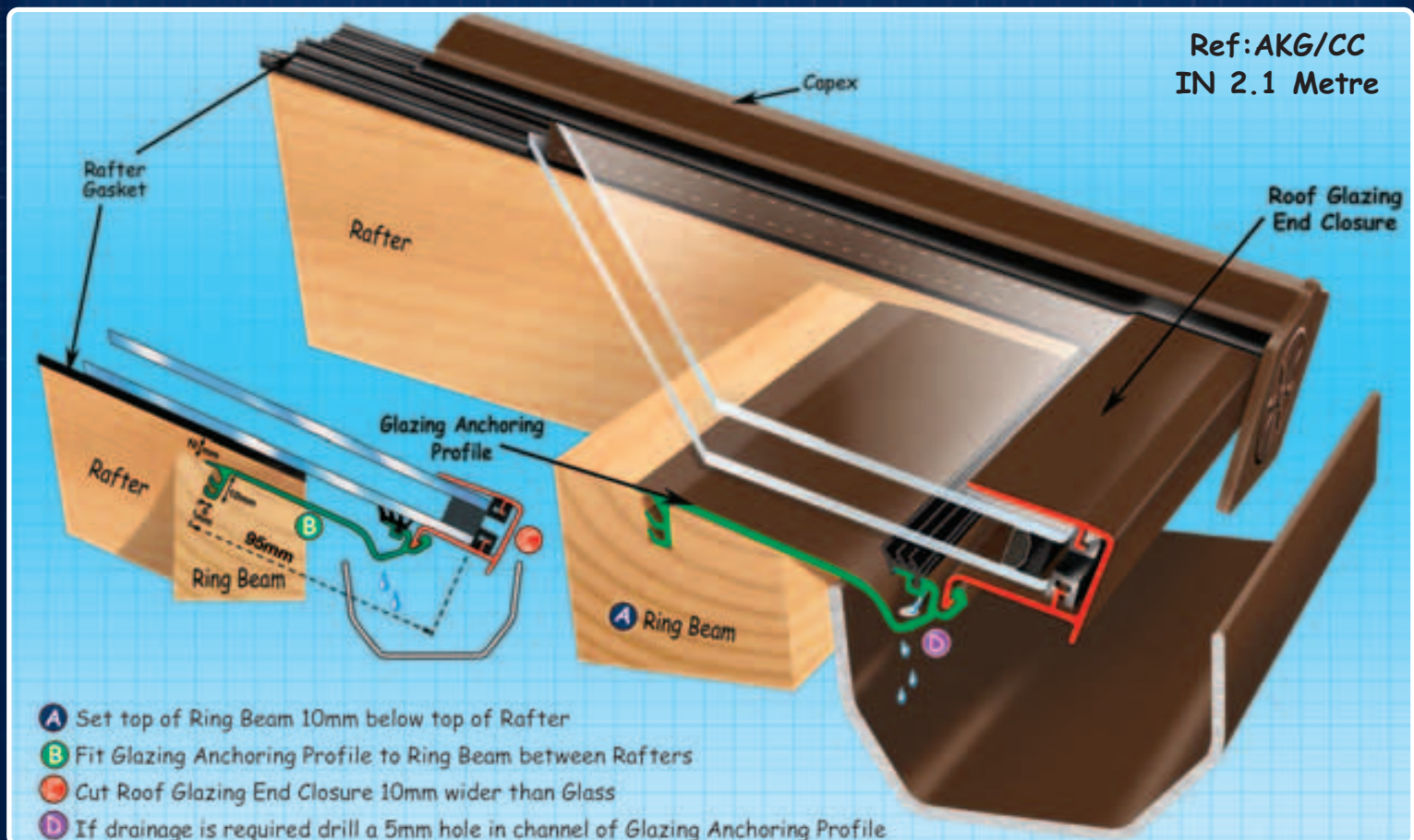


Ref: HIP/70
1.04.286

ANKORGLAZE FOR GLASS RETENTION

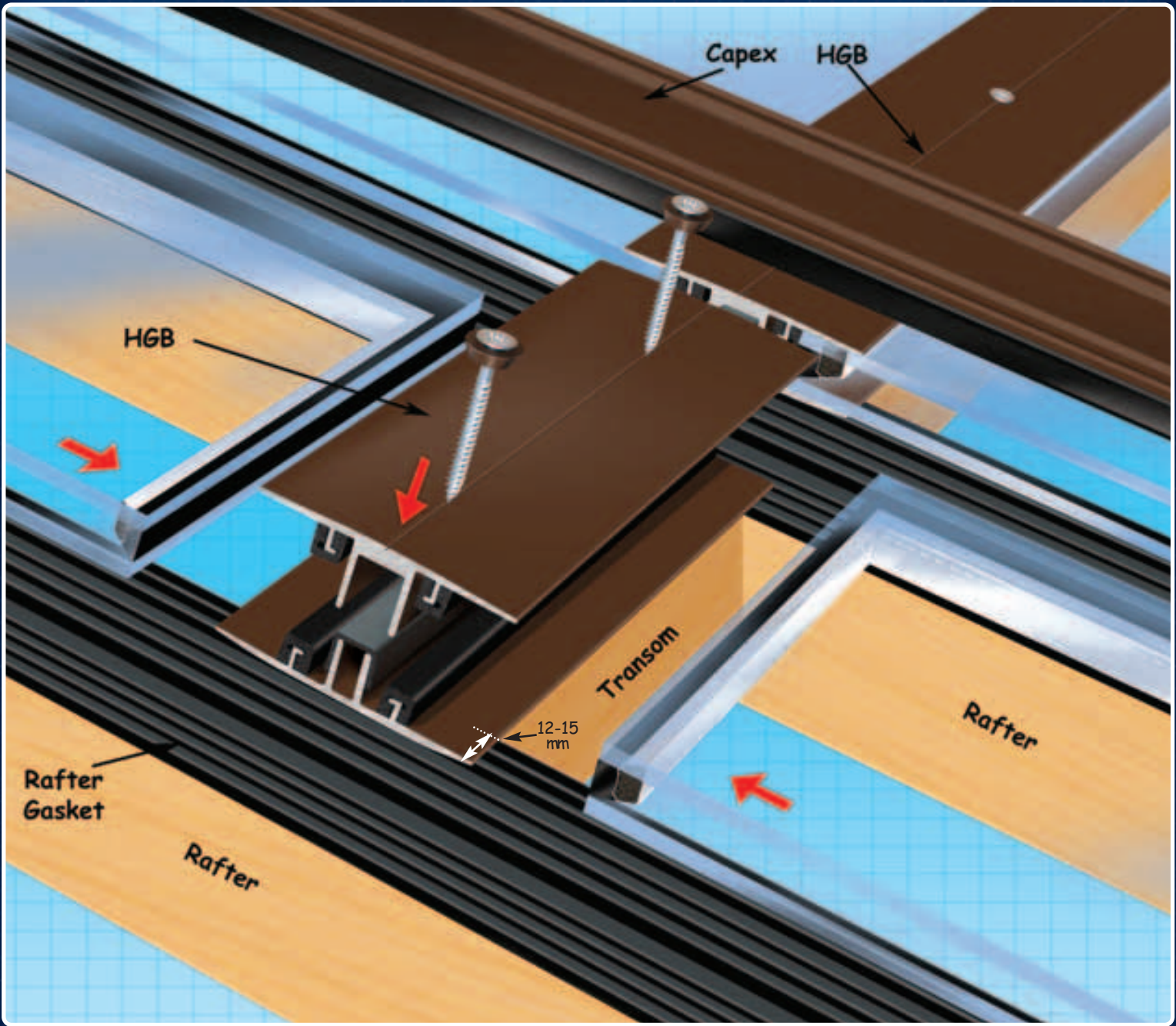


ANKORGLAZE WITH CONDENSATION CONTROL

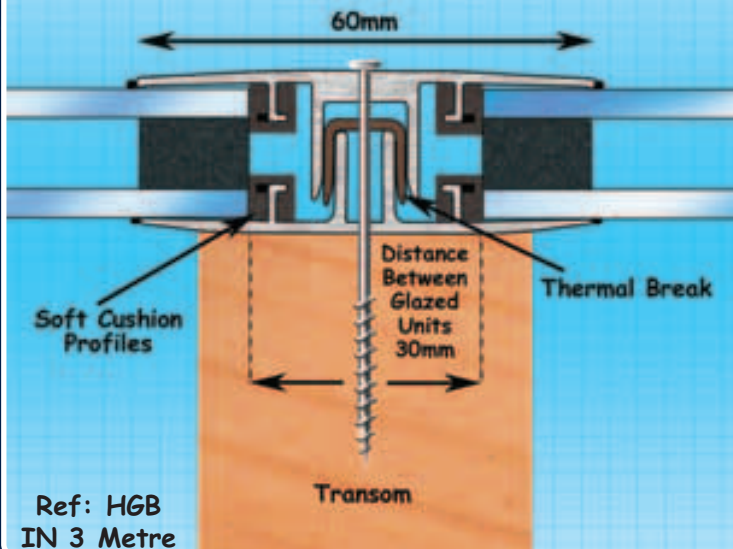


AVAILABLE FOR 6,4,16,20,25,28 & 32mm DGU's 11

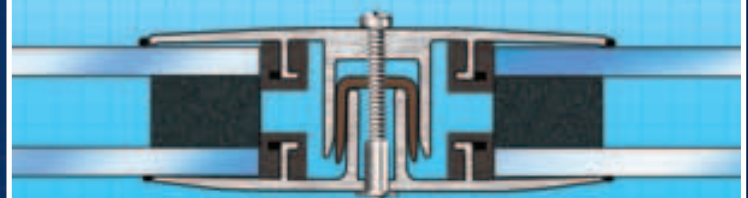
HORIZONTAL GLAZING BAR



Horizontal Glazing Bar for Over Transoms

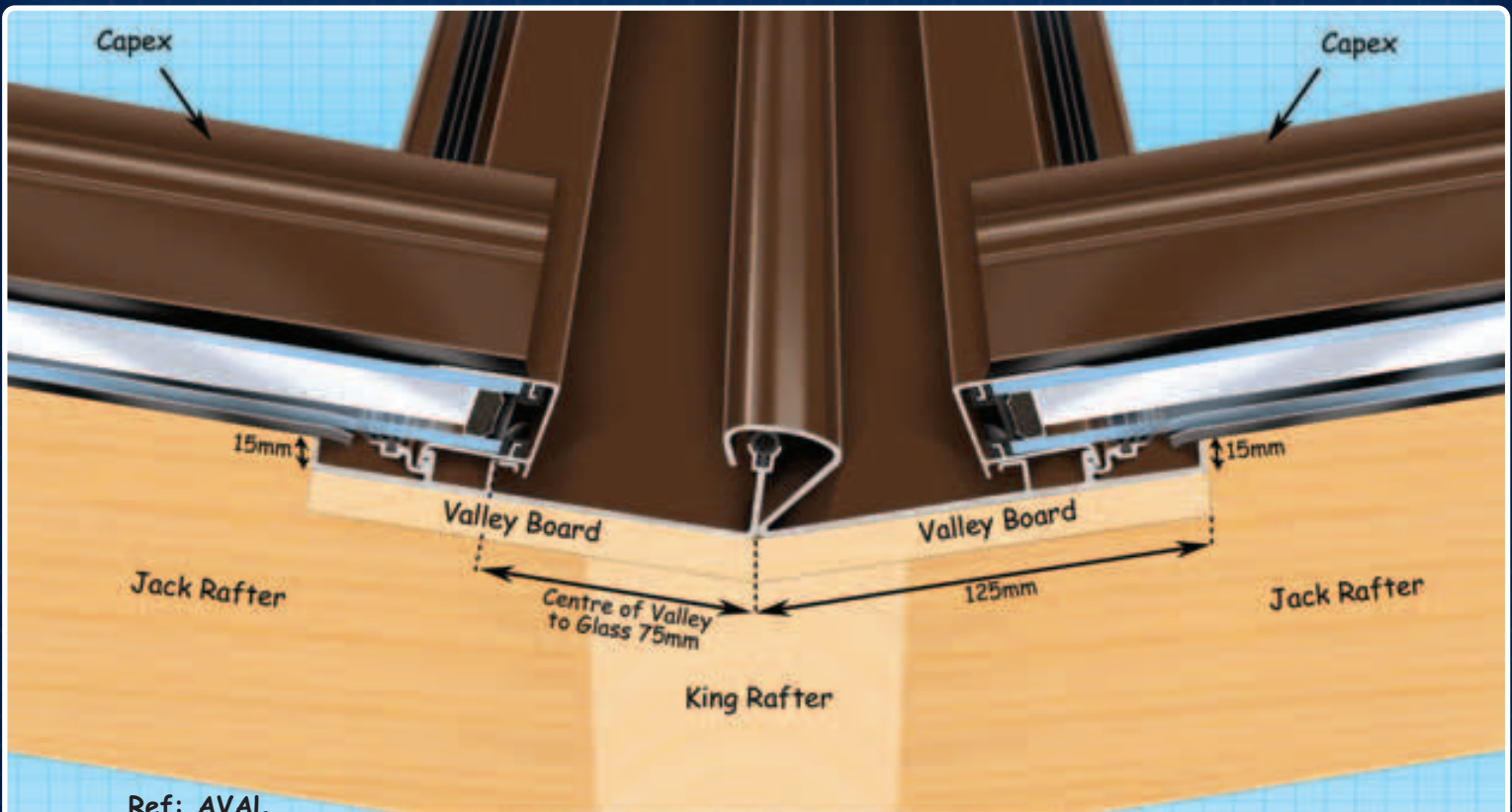


Self Supporting Horizontal Glazing Bar



- For Double Glazing 16mm-24mm Ref: HGB/16-24
- For Double Glazing 25mm-32mm Ref: HGB/25-32
- Self supporting up to 1 metre Ref: HGB/SS
- Thermally broken

ADJUSTABLE VALLEY

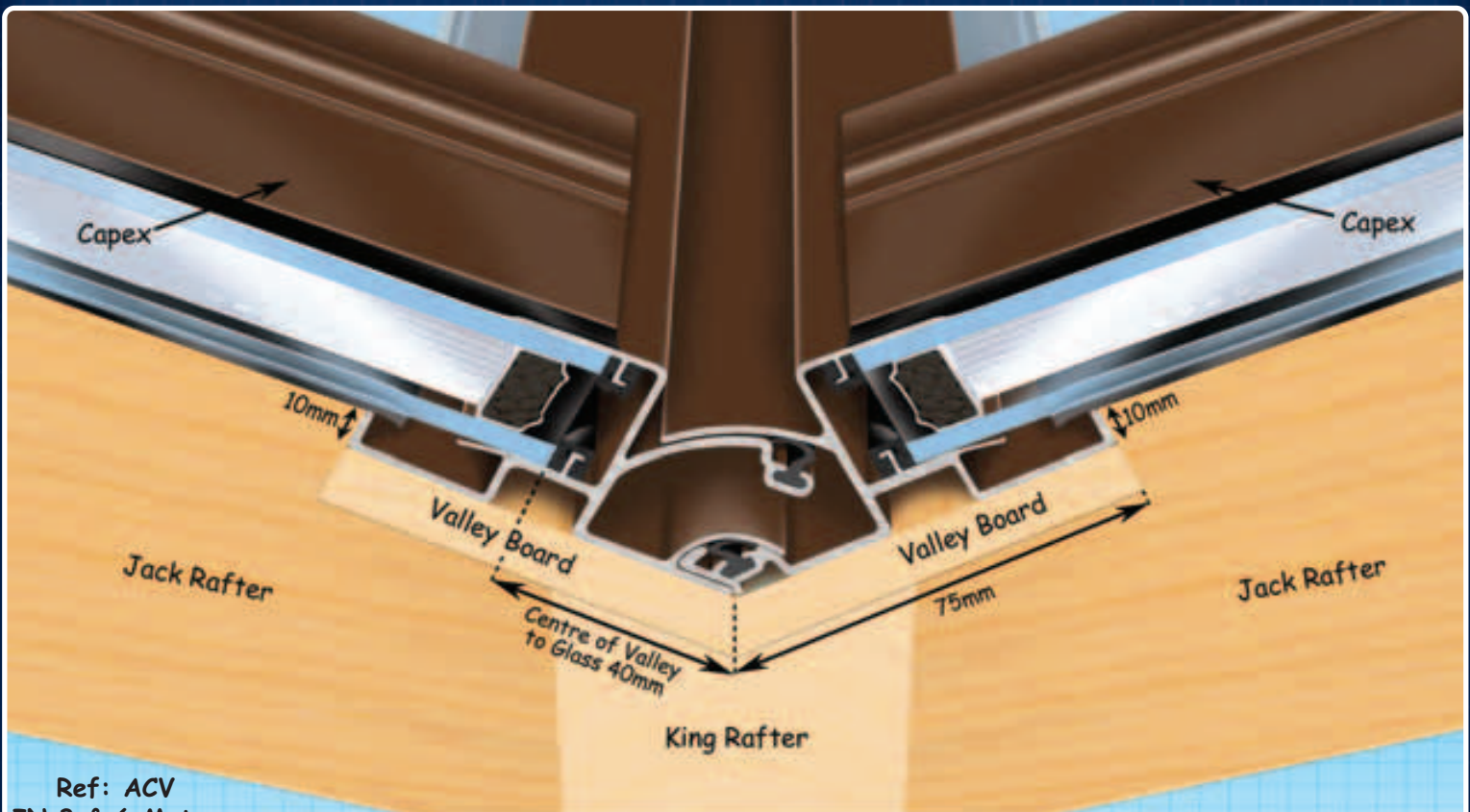


Ref: AVAL

In 2.1, 3, 4.21 & 6 Metres

Available for 6.4mm Laminate & 16mm, 20mm, 25mm, 28mm & 32mm Double Glazing Units

COMPACT VALLEY



Ref: ACV

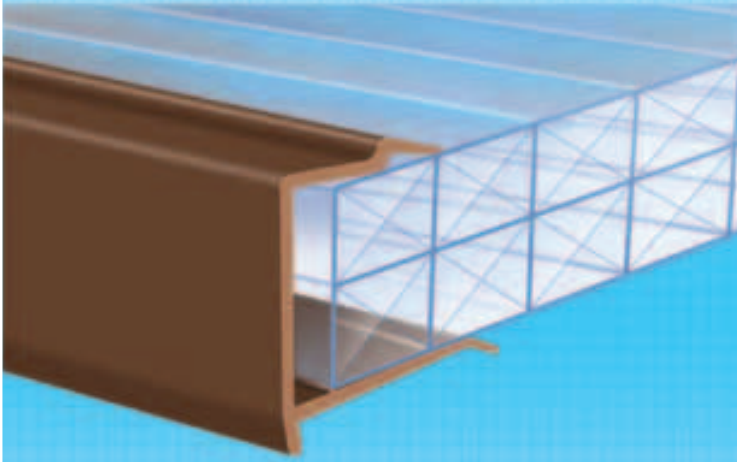
IN 3 & 6 Metre

Available for 25mm Double Glazing Units

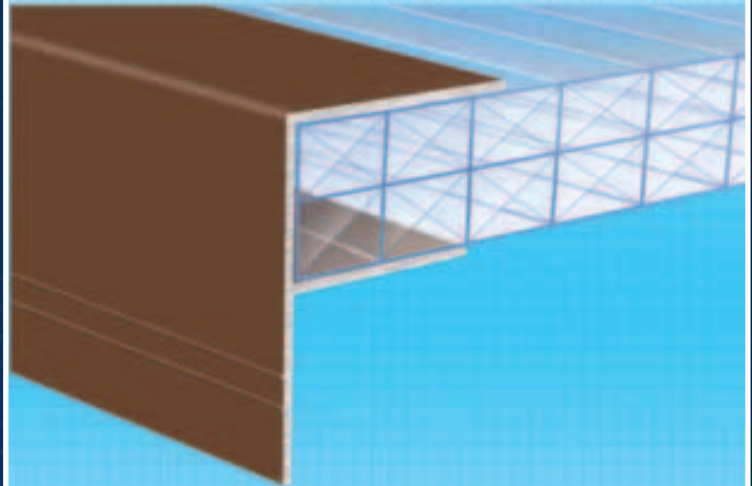
FOR ROOF PITCHES 15° - 45°

ADDITIONAL COMPONENTS

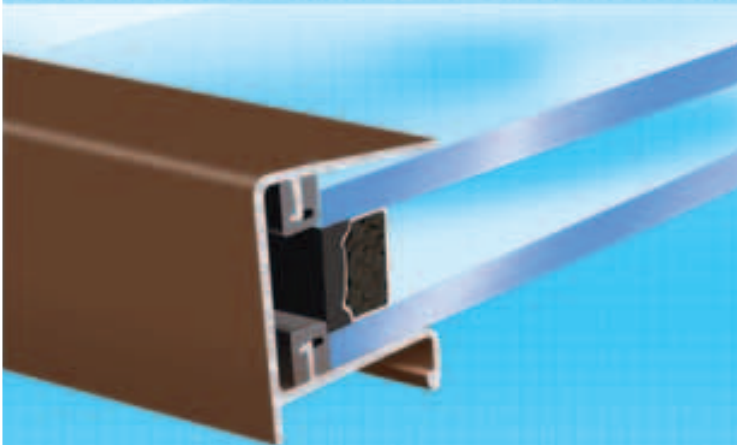
PVC Roof Sheeting Endclosures in 2.1m
For 10,16,20,25,32 & 40mm Sheeting



Aluminium F-Section in 4m, 5m & 6m
For 10,16,20,25,32 & 35mm Sheeting



Aluminium Roof Sheeting Endclosures in 2.1m
For 10,16,20,25 & 32mm Sheeting

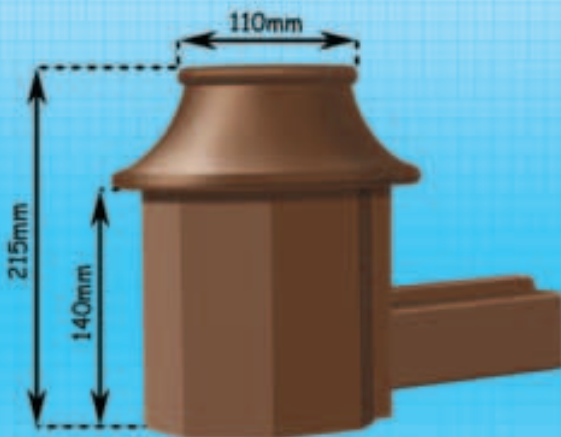


Lean To Flashing Profile in 3m & 6m
For Roof Pitches 5° - 45°

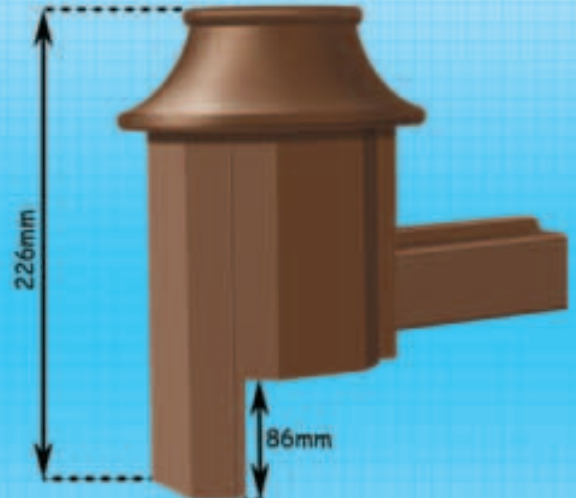


Suitable For Capex 50, 70, 40, 60 & Snap Down

Cresfinex MK3 Boss
1.05.360



Cresfinex MK3 Gable End Boss
1.05.361



ALL GASKETS COMPATIBLE WITH PILKINGTON ACTIV®

Rafter Gasket 45mm



Ref: RAG/45
1.09.045



Groove Located Ref: RAG/45/GL
1.09.145

Available in Black 100m Rolls

Rafter Gasket 55mm



Ref: RAG/55
1.09.055



Groove Located Ref: RAG/55/GL
1.09.155



Twin Groove Ref: RAG/55/TG
1.09.255

Available in Black 80m Rolls

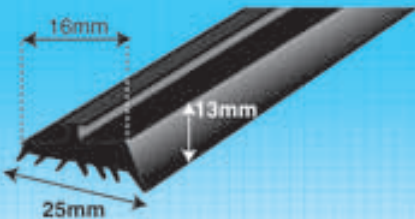
Rafter Gasket 77mm



Triple Groove Ref: RAG/77/TG
1.09.277

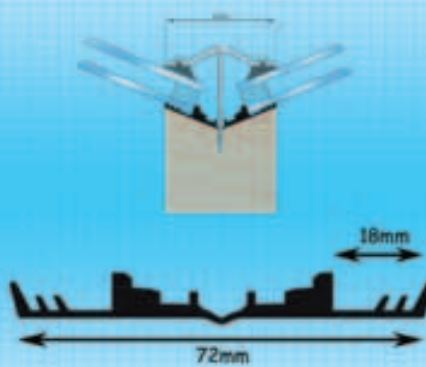
Available in Black 50m Rolls

Hip & Valley Gasket



Ref: H&V 1.09.300
Available 30m Black

Vallex Gasket



Ref: VLX 1.09.310
Available 30m Black

Push Fit Gaskets



Ref: DGBS/AS 3 X 15
1.09.020
For Capex & CFX



Ref: DGBS/RT 2 X 12
1.09.025
For Inside Groove of Flashing & Finishing Profiles

ACCESSORIES



Expandex Foam x 4m
Expands from 5-25mm



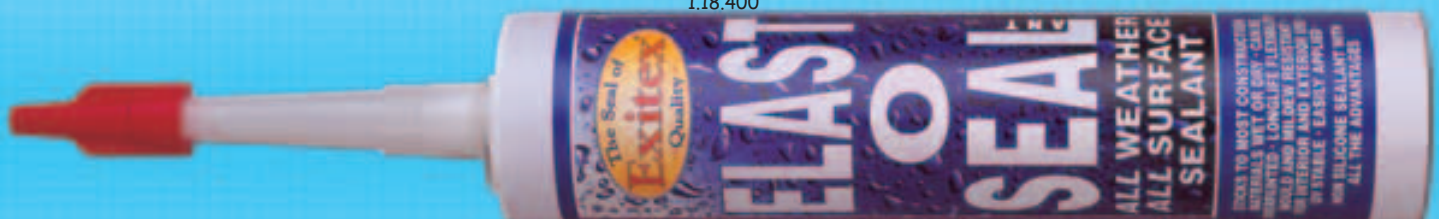
Butyl Flashtex x 10m
In Widths of 6" & 8"



Sheet Anchoring Devices
For 10,16,20,25,32mm Poly

Elast - O - Sealant

1.18.400



All Weather Sealant. Can be applied to wet surfaces.
Colours Available: Black, Brown, White, Grey & Clear

SUITABLE FOR GLASS & POLYCARBONATE

CAPEX AND CRESFINEX COMPONENTS

Aluminium Ball Finials



Ref: BALL/F/80 H 130 x D 80 1.05.380
 Ref: BALL/F/125 H 180 x D 125 1.05.385

Aluminium Finials uPVC Finial



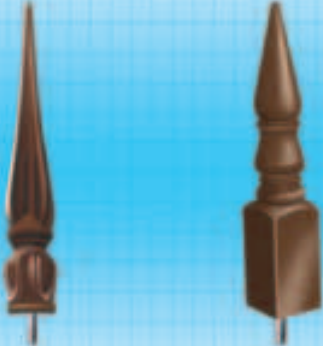
Ref:FDL/CA/F H 350 1.05.201
 Ref:TULIP/F H 350 1.05.366
 Ref: CFX/M2/PF H 350 1.05.015

Bolt Down Alum Finials



Ref:BALL/SD/F/125 H 180 x D 125 1.05.370
 Ref:BALL/SD/F/85 H 190 x D 85 1.05.375

Bolt Down Alum Finials



Ref:TULIP/SD/F H 320 1.05.365
 Ref:SPIRE/SD/F H 320 1.05.050

Aluminium Victorian Crest



Ref: V/CA L 300 x H 160 1.05.204

Aluminium Fleur De Lys Crest



Ref: FDL/CA L 300 x H 210 1.05.200

Aluminium Antique Crest



Ref: AT/CA L 500 x H 130 1.05.055

uPVC Antique Crest



Ref: AT/C L 245 x H 115 1.05.001

uPVC Crests



Regency Ref:CFXCR/6 L143xH150
 Fleur de Lys Ref: FDL/C L 143 x H224
 Ref:CFXCR/8 L143xH200

CFX MK2/MK4 Alum Wall End Cap



Ref:WEC 1.05.019

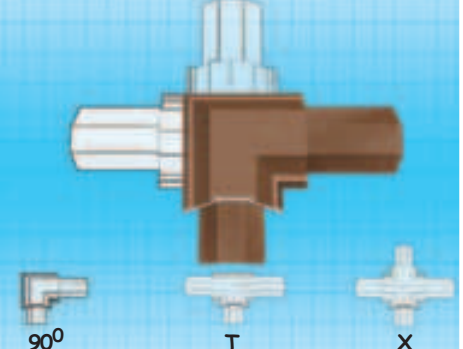
CFX MK3 Finial Base & REC



Ref: CFX M3 Finial Base 1.05.275

Ref: CFX MK3 REC 1.05.276

Aluminium CFX Connectors



90°

T

X

Available for MK2, MK3 & MK4 RIDGE

CAPEX AND CRESFINEX COMPONENTS

Capex uPVC Extended End Caps



Ref: CAP/40/EEC 1.04.570.0040 Ref: CAP/60/EEC 1.04.570.0060

Jack Caps 40 & 60



Ref: JC/40 1.04.070.0040 Ref: JC/60 1.04.070.0060

Cresfinex 40 or 60 HV Bridgings

For 20° - 40° For 45° - 75°



Ref: BDGHV 40 Ref: BDGHV 40/45
Ref: BDGHV 60 Ref: BDGHV 60/45

Cresfinex 40 & 60 Bridgings



Ref: CFX/40/BDG 1.05.031 Ref: CFX/60/BDG 1.05.032

Alum Mk2/Mk4 Cap End Cap



(When not fitting finials)
1.05.207

Cresfinex MK2 Radius End Caps



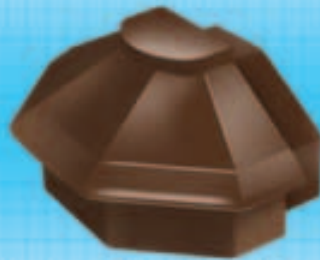
Ref: CFX/100/REC 1.05.045 Ref: CFX/175/REC 1.05.065

Cresfinex MK2 & MK4 Gable End Cap



Ref: CFX/MK2/GEC 1.05.205 Ref: CFX/MK4/GEC 1.05.203

Cresfinex MK4 Radius End Cap



Ref: CFX/MK4/REC 1.05.430

Aluminium Extended End Caps



Ref: CAP/50/A/EEC 1.04.353 Ref: CAP/70/A/EEC 1.04.354

Hip Jack Cap 70



Ref: H/JC/70 1.04.057

Cresfinex 50 & 70 Bridgings



Ref: CFX/BDG/50 1.05.035

Ref: CFX/BDG/70 1.05.036

Hip Bridgings 50 & 70

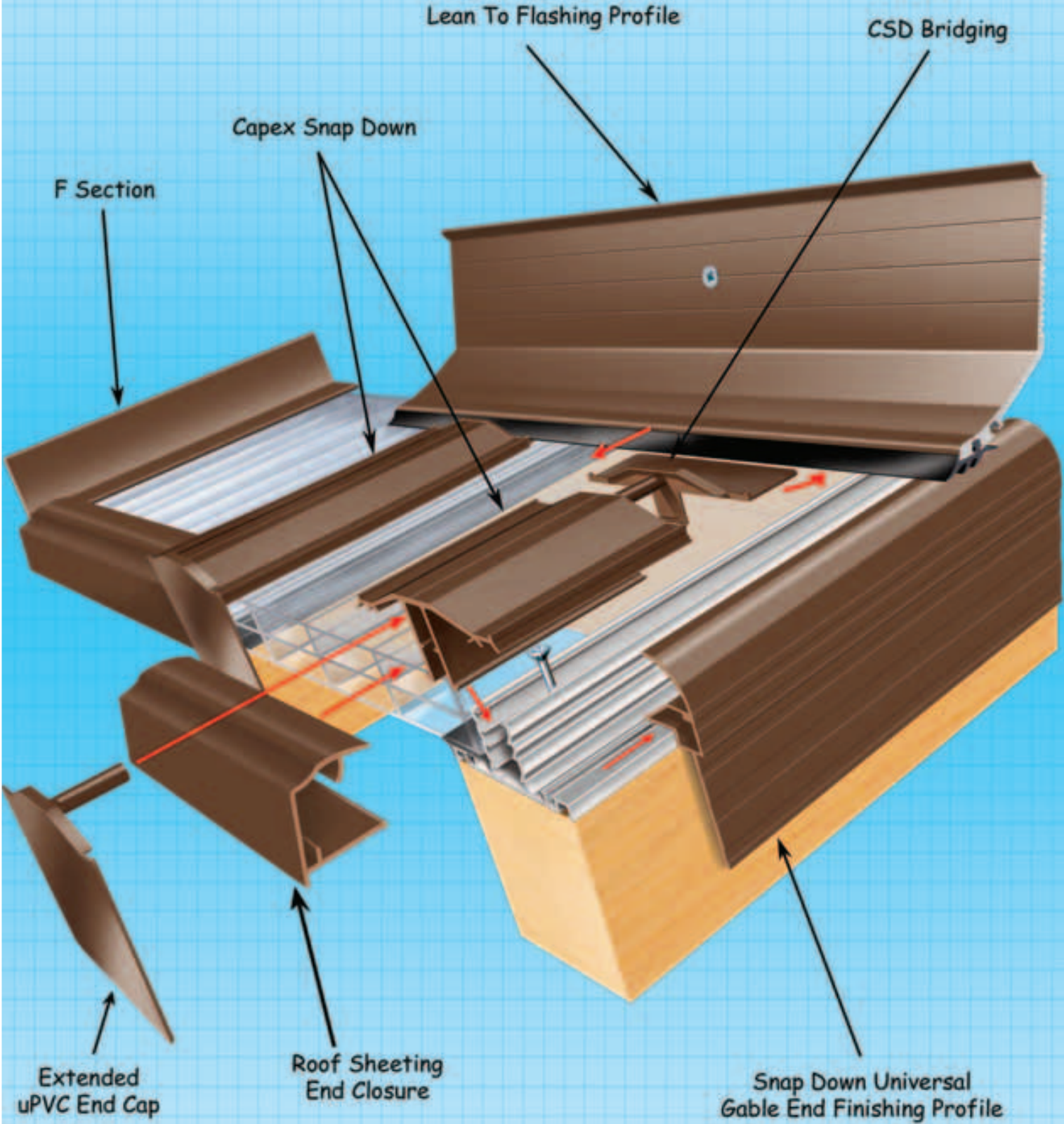


Ref: CFX/H/BDG70 1.04.055

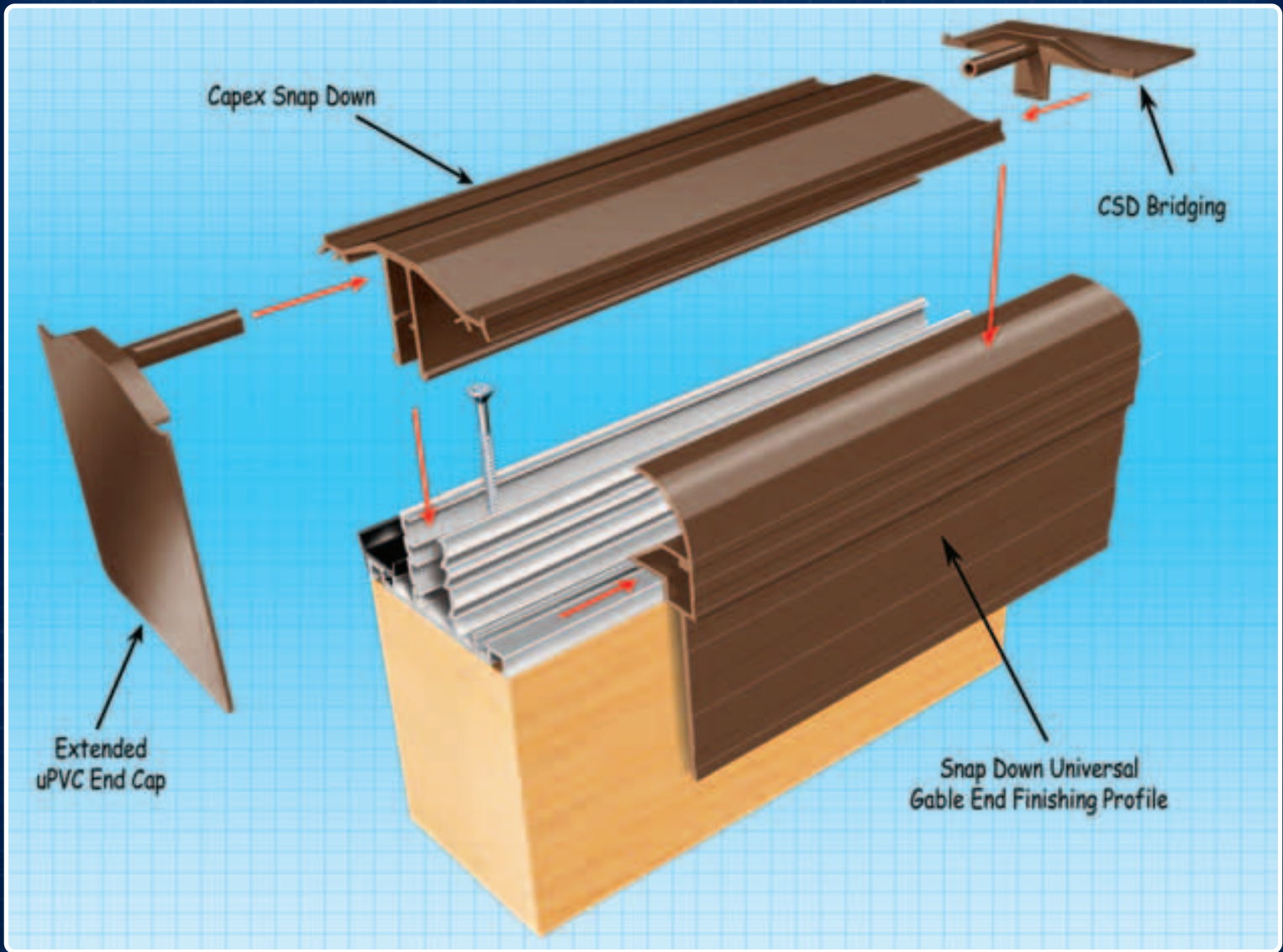
Ref: CFX/H/BDG50 1.04.054

AVAILABLE IN WHITE, BROWN & PLAIN ALUMINIUM

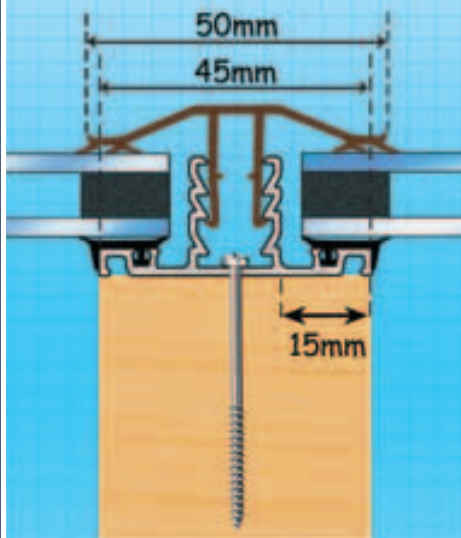
CAPEX SNAP DOWN



WITH GABLE END FINISHING PROFILE

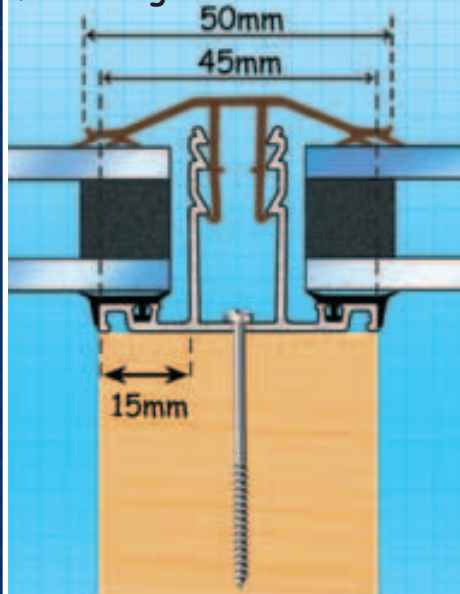


Capex Snap Down 10-25
for Glazing Materials 10-25mm



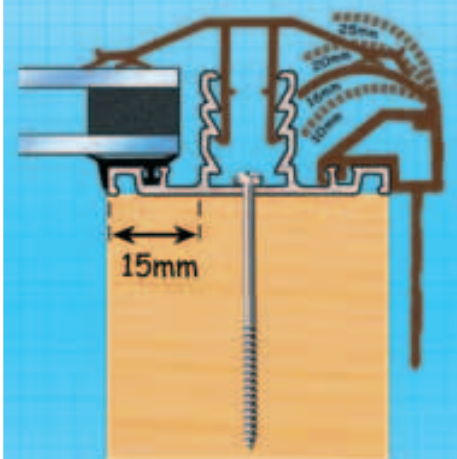
Ref: CSD/10-25
1.04.700

Capex Snap Down 25-32
for Glazing Materials 25-32mm



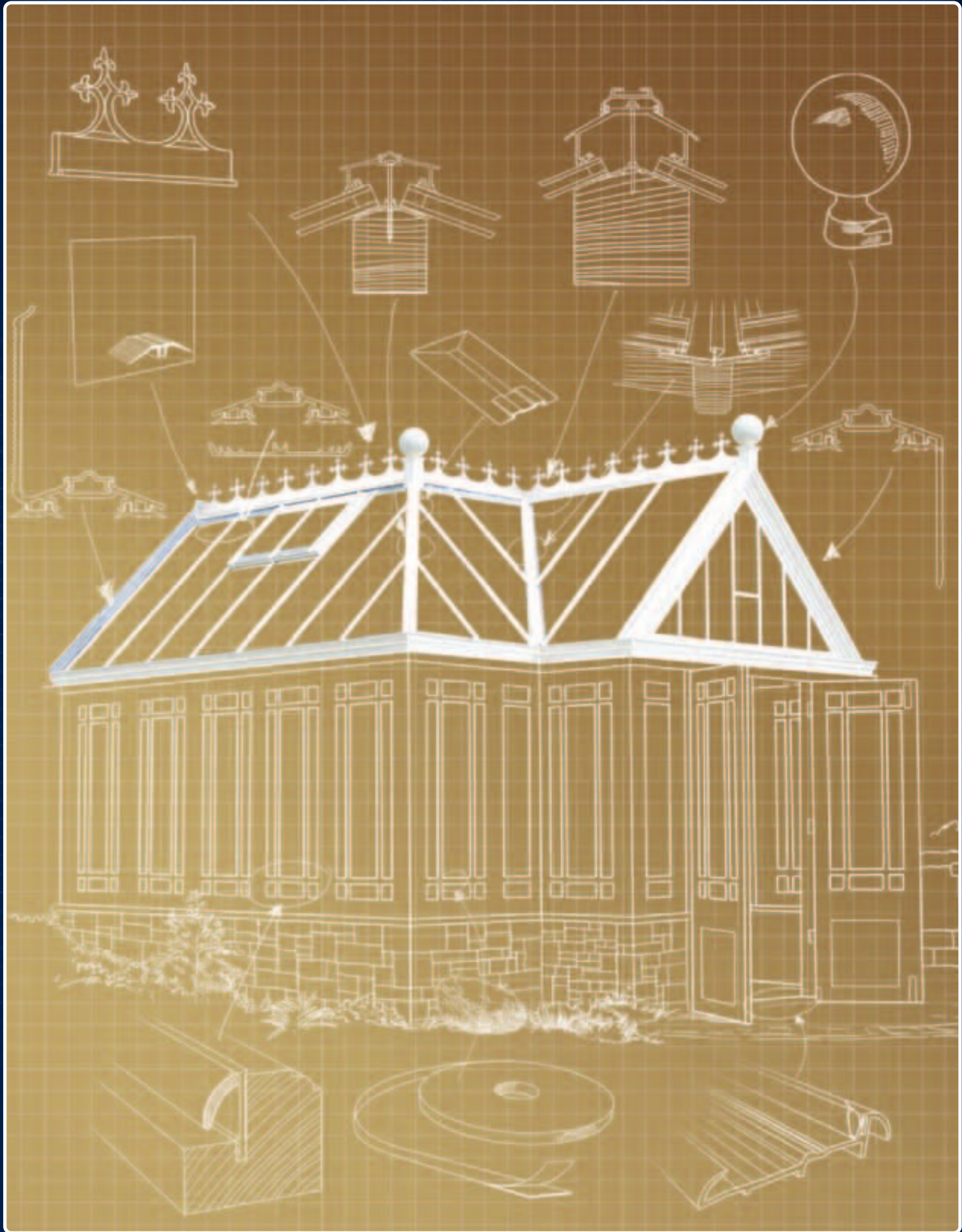
Ref: CSD/25-32
1.04.800

Gable End Finishing Profile
for Glazing Materials 10-25mm



Ref: CSD/GEF
1.04.710

FOR POLYCARBONATE 10-32mm



EXITEX LTD.
Dundalk, Ireland
Tel: (00353 42) 9371244

**GLAZING
SYSTEMS**

Website: www.exitex.com
E-mail: info@exitex.com
Fax: (00353 42) 9371221